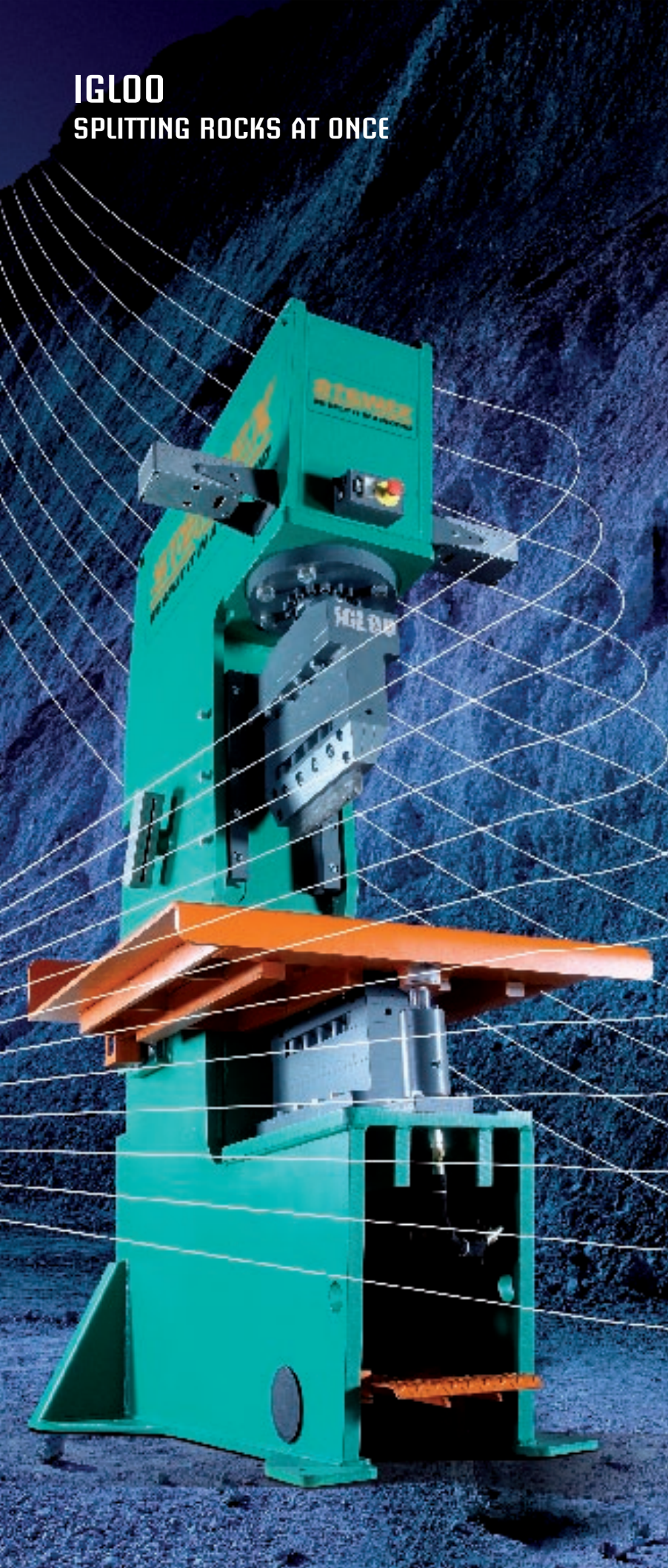


# IGLOO SPLITTING ROCKS AT ONCE



## COBBLES, SETT PAVINGS AND WALL STONES

*Igloo machines are strong, versatile and above all fast. They are outstanding for the speed with which they can produce large quantities of split products.*

*Today they are used to split all types of stone. Their design makes them perfect to produce a variety of cobbles, sett pavings and wall stones.*

*Igloo machines are small when compared with the other ones but they are sturdy and resilient .*

*They are extremely easy to use and cope perfectly with the constant stresses that come from continuous work, even when working in the toughest conditions.*

*Each machine is hydraulically operated with a noise reduction power unit.*



# STEINEX

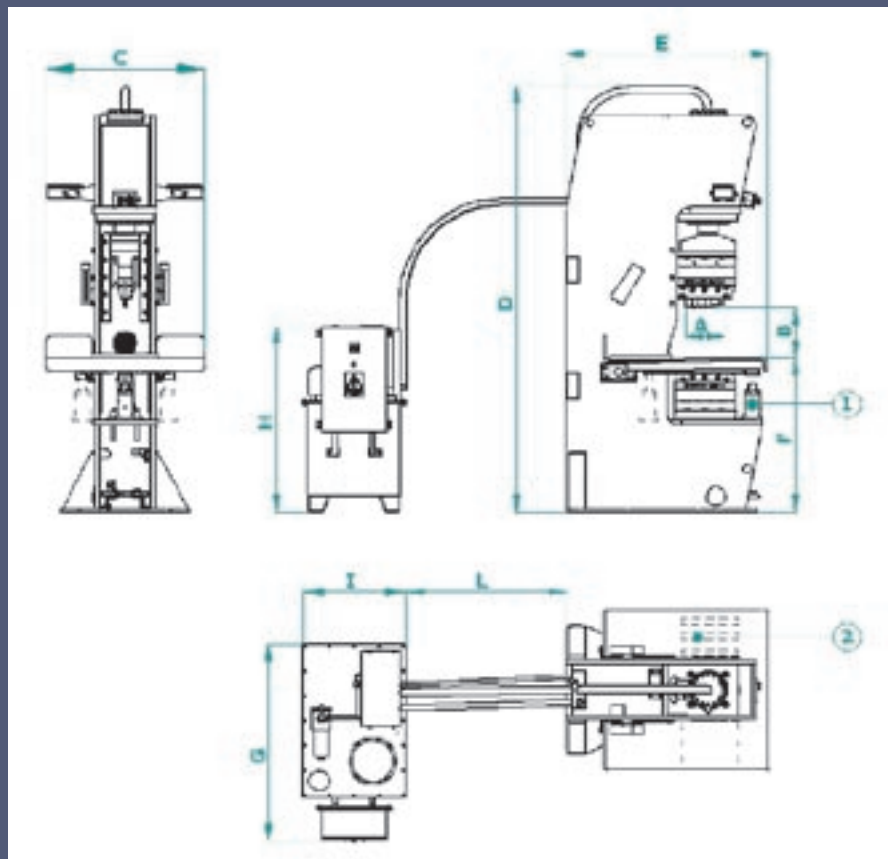
WE SPLIT IT IN A SECOND

## IGLOO SPLITTING ROCKS AT ONCE

Model:		160	240		320		400	480		600
<b>Technical specifications:</b>										
A (blade length)	mm	160	240	240	320	320	400	480	480	600
B (splitting height)	mm	180	320	320	320	320	350	450	450	550
Blade adaptation	RB	1	2	2	1	1	2	2	2	3
Splitting force	t	20	40	60	40	60	70	100	120	180
Bench cylinders (1)	nr	1	1	1	1	1	1	4	4	/
Bench rollers (2)	nr	/	/	/	/	/	6	6	6	/
Manipulator 1M with clamps	nr	/	/	/	/	/	/	1	1	1
Power supply	kW	4	7,5	7,5	7,5	7,5	7,5	7,5	7,5	7,5

### Dimensions and weights:

C (width)	mm	1000	1000	1000	1000	1000	1200	1200	1200	1200
D (height)	mm	2250	2650	2650	2650	2650	2700	3000	3000	3450
E (depth)	mm	1650	1260	1260	1400	1400	1550	1760	1760	1970
F (bench height)	mm	950	950	950	950	950	950	950	950	/
G (hydraulic unit width)	mm	/	1360	1360	1360	1360	1360	1360	1360	1360
H (hydraulic unit height)	mm	/	1200	1200	1200	1200	1200	1200	1200	1200
I (hydraulic unit depth)	mm	/	650	650	650	650	650	650	650	650
L (hydraulic unit distance)	mm	/	1300	1300	1300	1300	1300	1300	1300	1300
Machine weight	kg	1600	2190	2250	2390	2450	3500	3920	4020	6700
Hydraulic unit weight	kg	/	400	400	400	400	400	400	400	400



STEINEX S.r.l. - Viale Venezia, 86 - 38056 Levico Terme (TN) - ITALY

Tel +39 0461 710500 - Fax +39 0461 701049 - info@steinex.com - www.steinex.com