

BROADWAY WALKING DOWN YOUR STREET

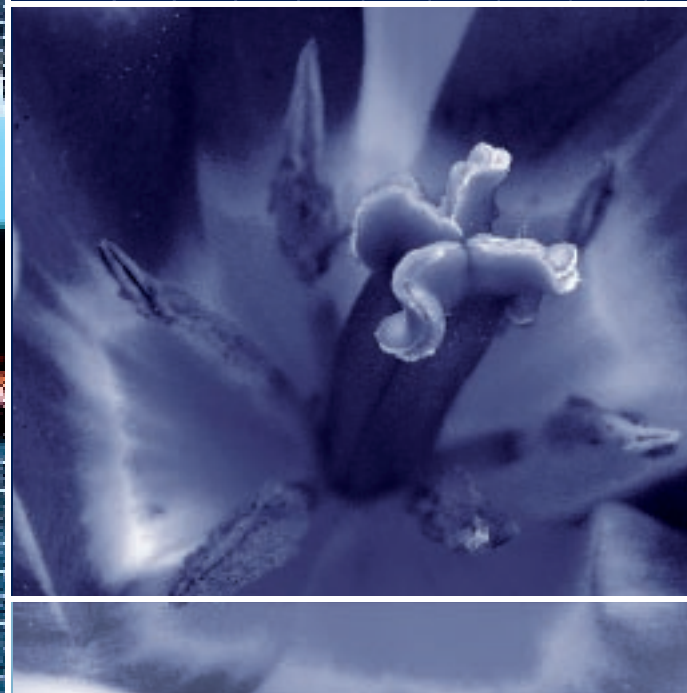


TILES AND FLAT FINISHED

It takes a great deal of experience to make tiles from blocks of slab type stone. This is why Broadway machines are designed to split wide and very thin materials and must operate slower than their sister machines. Another basic difference that makes these splitters more suitable for this type of application is the pressure of the lower blade on the material without movement of the working table. This greatly improves split quality and reduces waste.

These machines are designed to split all types of stone and are particularly suitable for producing slabs paving, and flat finished products.

Low noise hydraulic units also operate these machines.



STEINEX

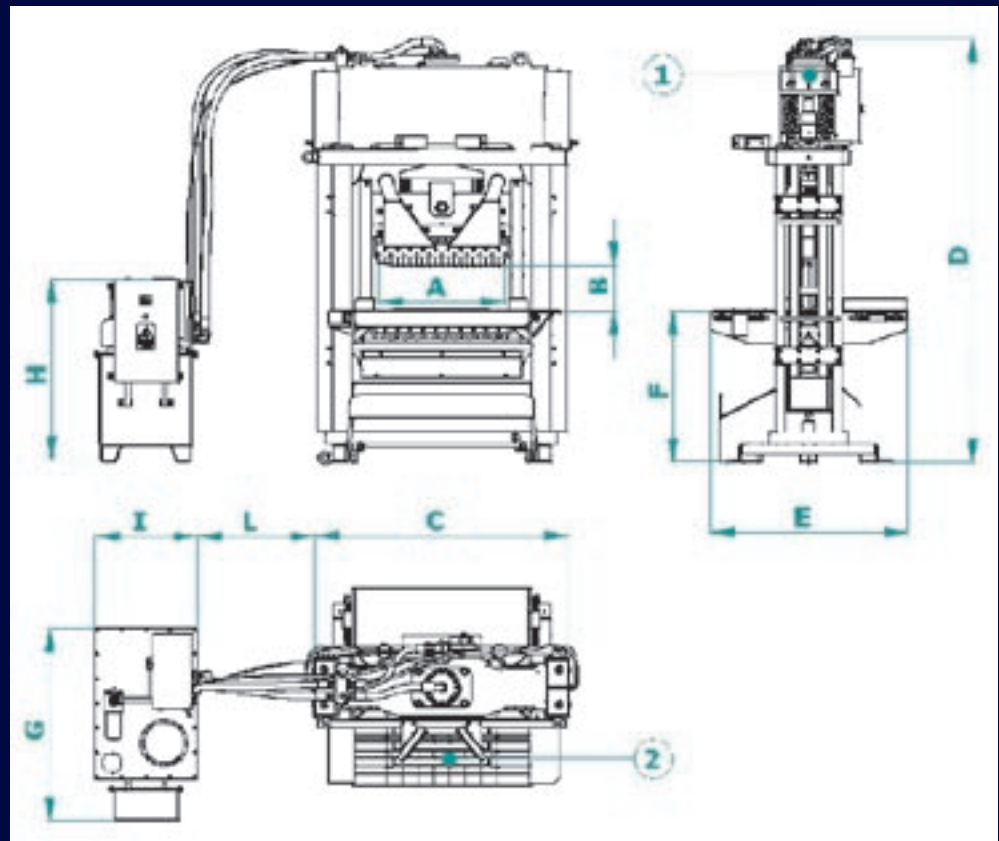
WE SPLIT IT IN A SECOND

BROADWAY WALKING DOWN YOUR STREET

Model:		600 x 300		800 x 280	800 CM	800 CM-2	1000 x 250	1280 x 250	1280 x 400
Technical specifications:									
A (blade length)	mm	600	600	800	800	800	1000	1280	1280
B (splitting height)	mm	300	300	280	280	280	250	250	400
Blade adaptation	RB	/	/	1	1	2	2	2	2
Splitting force	t	50	50	50	60	60	120	120	160
Mobile structural work (1)	nr	/	/	/	1	1	/	/	/
Pivoting bench	nr	2	2	2	/	/	2	2	2
Front bench rollers (2)	nr	/	/	3	3	3	3	3	/
Power supply	kW	/	4	7,5	7,5	7,5	7,5	7,5	7,5

Dimensions and weights:

C (width)	mm	1050	1280	1300	1750	1750	1700	2250	2250
D (height)	mm	2350	2450	2570	2730	2730	2850	2750	3150
E (depth)	mm	1100	1100	1250	1260	1260	1280	1300	1300
F (bench height)	mm	950	950	950	950	950	950	950	950
G (hydraulic unit width)	mm	/	1200	1360	1360	1360	1360	1360	1360
H (hydraulic unit height)	mm	/	1100	1200	1200	1200	1200	1200	1200
I (hydraulic unit depth)	mm	/	600	650	650	650	650	650	650
L (hydraulic unit distance)	mm	/	800	1100	1100	1100	1100	1000	1000
Machine weight	kg	1000	1000	2400	2700	2700	3100	4800	5200
Hydraulic unit weight	kg	/	250	400	400	400	400	400	400



STEINEX S.r.l. - Viale Venezia, 86 - 38056 Levico Terme (TN) - ITALY

Tel +39 0461 710500 - Fax +39 0461 701049 - info@steinex.com - www.steinex.com